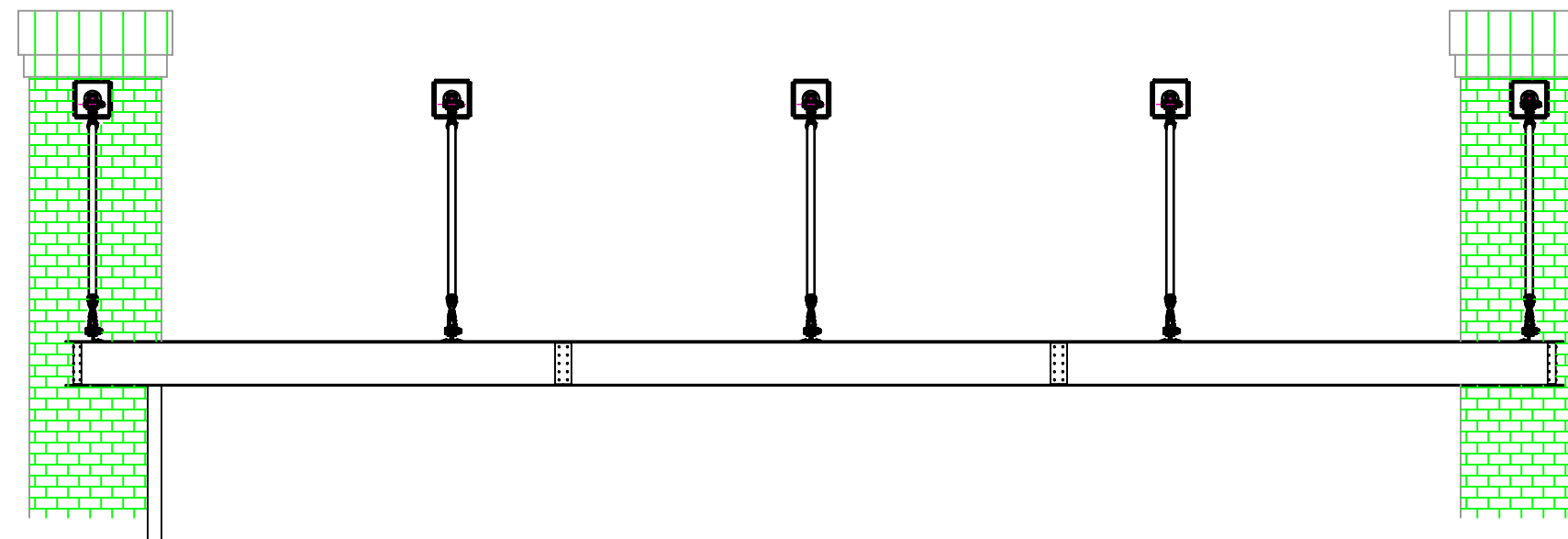
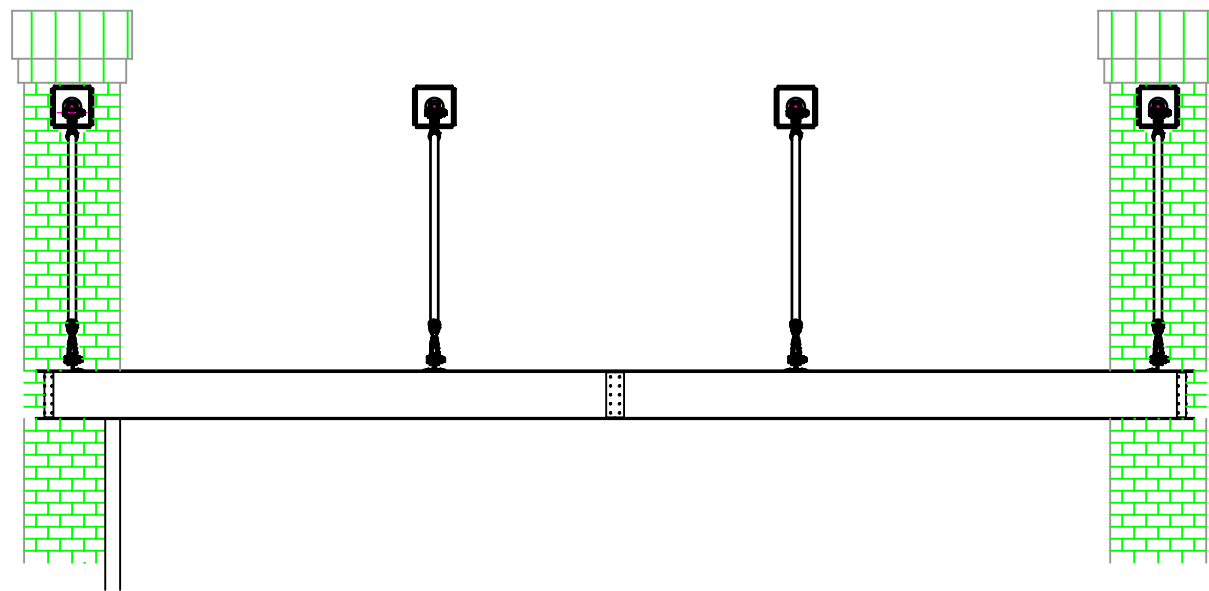


M3577 - SHEETZ / WILSON, NC.



Canopy Type:
 SuperLumideck Hanger Rod
 - Flat Soffit (Perp to
 Bldg), 16'6"x8' Projection
 (1), 23'3"x6' Projection (1),
 1" Hanger Pipe, G Fascia x
 4, Finish = Powder Coat,
 Color to be "Regal Red"

Architect:

Drawn: NOV 14, 06

Mapes
 Architectural
 Canopies

7748 N. 56th St.
 Lincoln, NE. 68514-9724
 Ph: (888) 273-1132
 Fx: (877) 455-6572
 email: cad@mapes.com

Proposed for:
 ()

Job Name:
 SHEETZ / WILSON, NC.

PO # dtd
 MQ #

Rep:

M3577

sheet:

Apr. 14, 09

01

of 10

General Notes:

1. MAPES ARCHITECTURAL CANOPIES REQUIRES ONE (1) SET OF "ORIGINAL/COPIES" TO REVISE DRAWINGS, OR AN APPROVED SET OF "ORIGINAL/COPIES" IN ORDER TO FABRICATE ORDER
2. ORDERS REQUIRING ENGINEERING WILL "ONLY" BE FABRICATED "AFTER" STAMPED DRAWINGS ARE APPROVED
3. VERIFY ALL CANOPY AND FIELD DIMENSIONS PRIOR TO RELEASING FOR FABRICATION
4. ALL ORDERS NOT APPROVED FOR PRODUCTION WITHIN 90 DAYS OF PURCHASE ORDER ARE SUBJECT TO A REVIEW OF PRICING
5. ALL FASTENER HOLES NOT OTHERWISE NOTED ARE TO BE FIELD DRILLED
6. ALL FASTENERS NOT OTHERWISE NOTED ARE CADMIUM PLATED FERROUS OR ALUMINUM
7. ADEQUACY OF WALL AND BUILDING STRUCTURE MUST BE CERTIFIED BY BUILDINGS ENGINEER OF RECORD
8. WALL SYSTEMS W/ EIFS OR BRICK VENEER EXTERIOR DESIGN TYPICALLY REQUIRE COMPRESSION SPACERS TO PREVENT CRUSHING, SUPPLIED BY MAPES
9. ADDITIONAL BLOCKING AND BRACING AT CANOPY CONNECTION POINTS TO ADEQUATELY HANDLE CANOPY LOADS TO BE SUPPLIED, FABRICATED & INSTALLED BY OTHERS
10. UNLESS OTHERWISE NOTED, ALL HANGER ROD ATTACHMENTS @ WALL ARE TO BE DESIGNED BY OTHERS
11. UNLESS OTHERWISE NOTED, ALL CANOPY ATTACHMENTS @ WALL ARE TO BE DESIGNED BY OTHERS
12. SOME FIELD MODIFICATION OF CANOPY MEMBERS MAY BE REQUIRED, DEPENDING ON EXISTING SITE CONDITIONS

Drawing Schedule	
Page #	Description
01	Cover
02	General Information
03	Canopy Plans
04	Section AA - Canopy 'A'
05	Section BB - Canopy 'A'
06	Section CC - Canopy 'B'
07	Section DD - Canopy 'B'
08	Section EE
09	Section FF - Canopy 'A'
10	Section GG - Canopy 'B'

Design Notes:

1. CANOPY DRAWINGS WILL BE ENGINEERED AND STAMPED FOR _
2. FINISH SHALL BE BRONZE BAKED ENAMEL, WHITE BAKED ENAMEL OR CLEAR ANODIZED
3. FINISH SHALL BE POWDER COAT
4. FINISH SHALL BE TWO COAT KYNAR
5. COLOR SHALL BE (CHOSEN FROM MAPES STD SMOOTH COLOR CHART)
6. FLASHING AND SEALANT, BY CANOPY INSTALLER
7. SURROUND WALL ANCHORS WITH WATER TIGHT SEALANT
8. EMBED ALL WALL ANCHOR WASHERS IN SEALANT TO PROVIDE WATERTIGHT SEAL AT WALL
9. TO ENSURE PROPER DRAINAGE, INSTALL CANOPY WITH POSITIVE CAMBER
10. FIELD DRILL DRAIN HOLES IN FASCIA @ DESIRED SCUPPER LOCATIONS
11. FACTORY NOTCHES IN POSTS ARE ALWAYS AT THE TOP
12. ACRYLIC SHALL BE $\frac{3}{16}$ " ($\frac{1}{4}$ ") BRONZE, GRAY, OR CLEAR TINT

Canopy Type:
SuperLumideck Hanger Rod
- Flat Soffit (Perp to Bldg), 16'6"x8' Projection
(1), 23'3"x6' Projection (1),
1" Hanger Pipe, G Fascia x
4, Finish = Powder Coat,
Color to be "Regal Red"

Architect:

Drawn: NOV 14, 06

Mapes Architectural Canopies

7748 N. 56th St.
Lincoln, NE. 68514-9724
Ph: (888) 273-1132
Fx: (877) 455-6572
email: cad@mapes.com

Proposed for:
()

Job Name:
SHEETZ / WILSON, NC.

PO # dtd
MQ #

Rep:

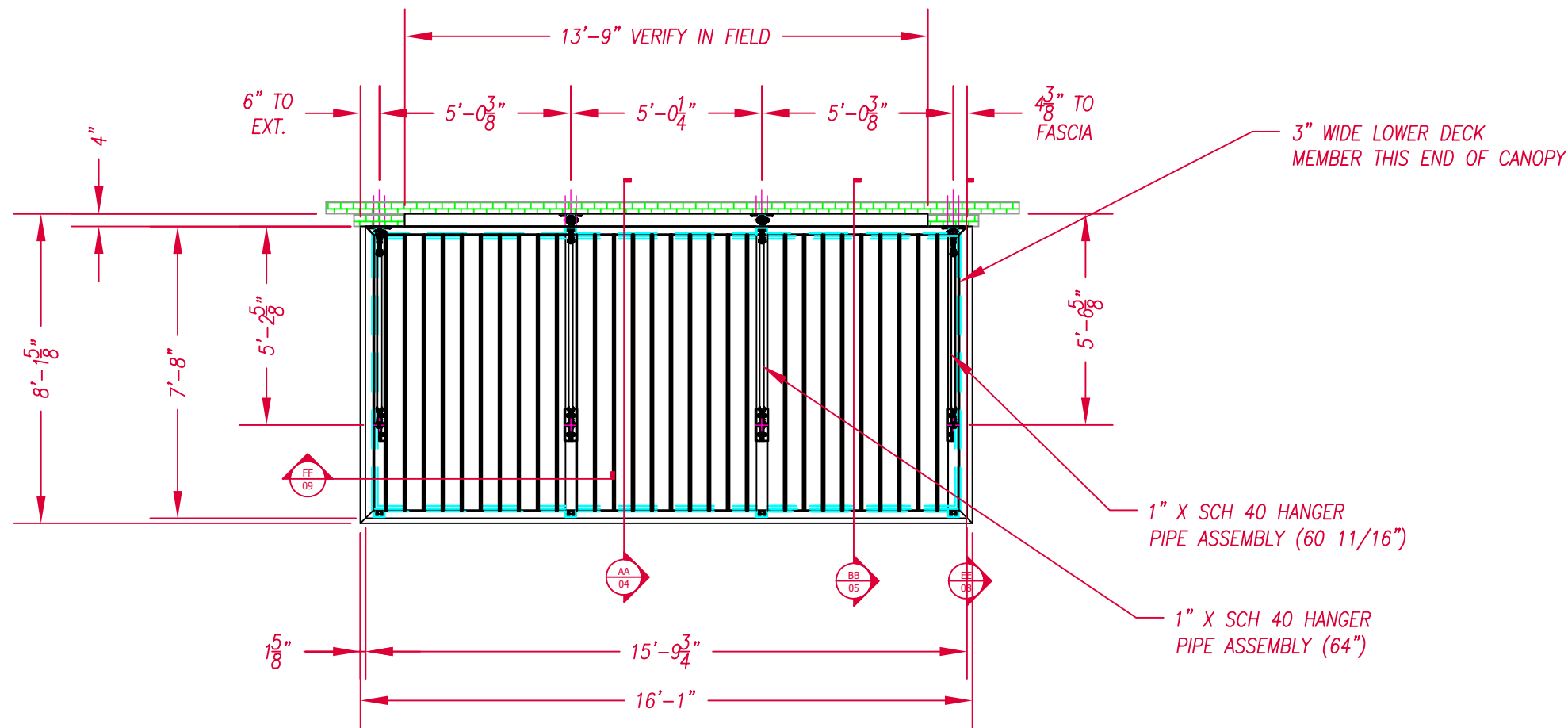
M3577

sheet:

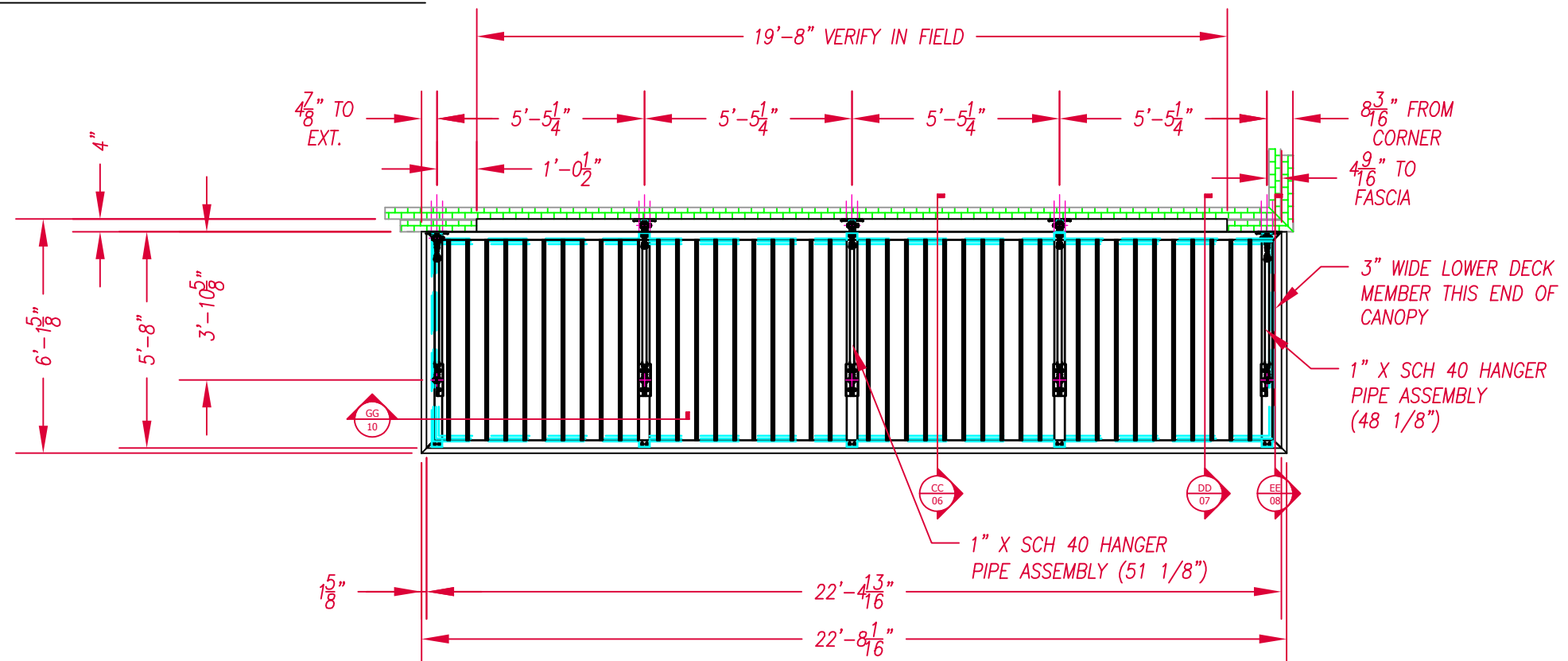
Apr. 14, 09

02

of 10



1 CANOPY PLAN - CANOPY 'A'



2 CANOPY PLAN - CANOPY 'B'

Canopy Type:
 SuperLumideck Hanger Rod
 - Flat Soffit (Perp to Bldg), 16'6"x8' Projection (1), 23'3"x6' Projection (1), 1" Hanger Pipe, G Fascia x 4, Finish = Powder Coat, Color to be "Regal Red"

Architect:

Drawn: NOV 14, 06

Mapes
 Architectural
 Canopies

7748 N. 56th St.
 Lincoln, NE. 68514-9724
 Ph: (888) 273-1132
 Fx: (877) 455-6572
 email: cad@mapes.com

Proposed for:
 ()

Job Name:
 SHEETZ / WILSON, NC.

PO # dtd
 MQ #

Rep:

M3577

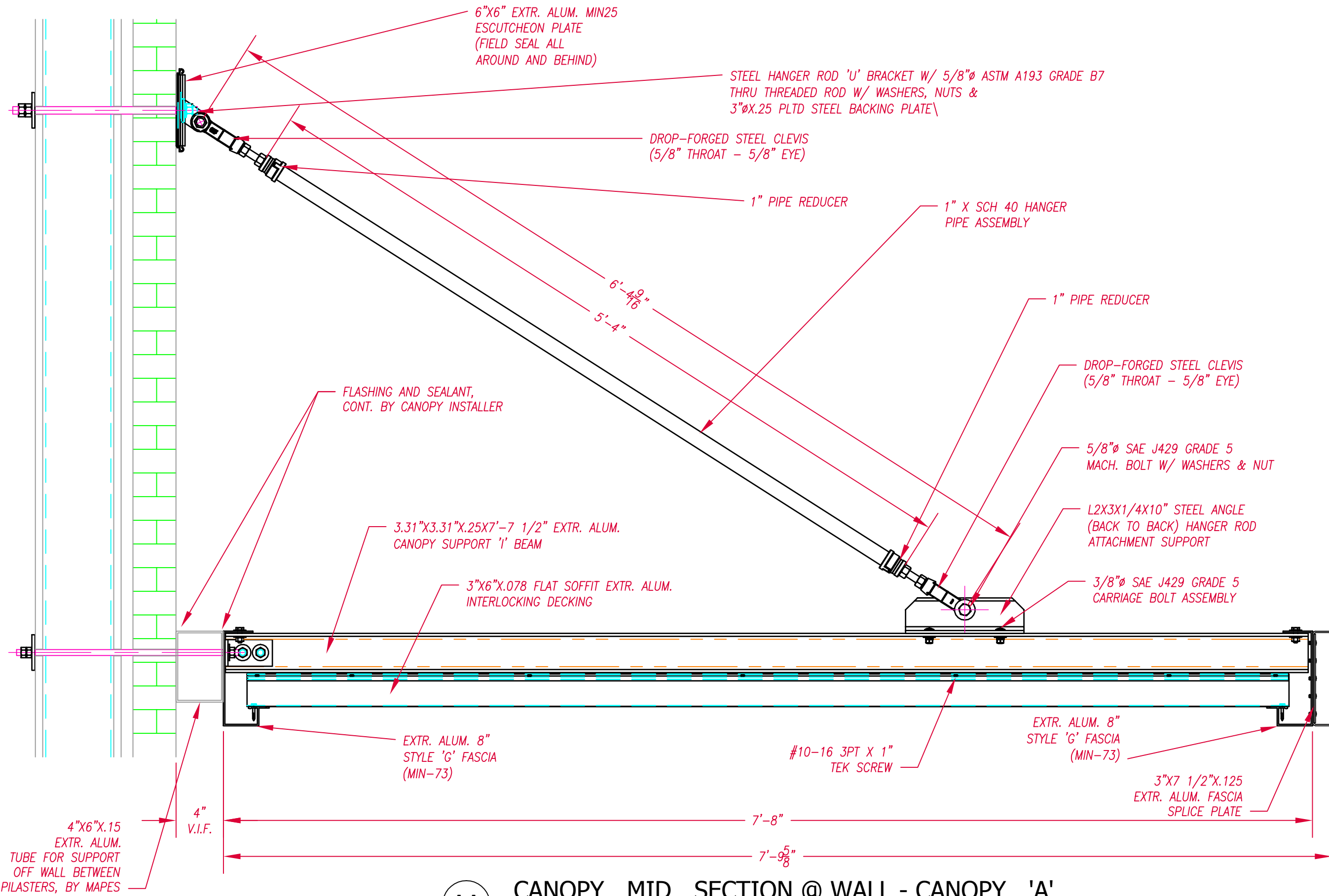
sheet:

Apr. 14, 09

03

1/4" = 1'-0"

of 10



6"X6" EXTR. ALUM. MIN25
ESCUTCHEON PLATE
(FIELD SEAL ALL
AROUND AND BEHIND)

STEEL HANGER ROD 'U' BRACKET W/ 5/8"Ø ASTM A193 GRADE B7
THRU THREADED ROD W/ WASHERS, NUTS &
3"ØX.25 PLTD STEEL BACKING PLATE\

DROP-FORGED STEEL CLEVIS
(5/8" THROAT - 5/8" EYE)

1" PIPE REDUCER

1" X SCH 40 HANGER
PIPE ASSEMBLY

6'-⁹/₁₆"
5'-4"

1" PIPE REDUCER

FLASHING AND SEALANT,
CONT. BY CANOPY INSTALLER

DROP-FORGED STEEL CLEVIS
(5/8" THROAT - 5/8" EYE)

3.31"X3.31"X.25X7'-7 1/2" EXTR. ALUM.
CANOPY SUPPORT 'I' BEAM

5/8"Ø SAE J429 GRADE 5
MACH. BOLT W/ WASHERS & NUT

3"X6"X.078 FLAT SOFFIT EXTR. ALUM.
INTERLOCKING DECKING

L2X3X1/4X10" STEEL ANGLE
(BACK TO BACK) HANGER ROD
ATTACHMENT SUPPORT

3/8"Ø SAE J429 GRADE 5
CARRIAGE BOLT ASSEMBLY

EXTR. ALUM. 8"
STYLE 'G' FASCIA
(MIN-73)

#10-16 3PT X 1"
TEK SCREW

EXTR. ALUM. 8"
STYLE 'G' FASCIA
(MIN-73)

3"X7 1/2"X.125
EXTR. ALUM. FASCIA
SPLICE PLATE

4"X6"X.15
EXTR. ALUM.
TUBE FOR SUPPORT
OFF WALL BETWEEN
PILASTERS, BY MAPES

4"
V.I.F.

7'-8"

7'-⁵/₈"

AA CANOPY MID SECTION @ WALL - CANOPY 'A'

Canopy Type:
SuperLumideck Hanger Rod
- Flat Soffit (Perp to
Bldg), 16'6"x8' Projection
(1), 23'3"x6' Projection (1),
1" Hanger Pipe, G Fascia x
4, Finish = Powder Coat,
Color to be "Regal Red"

Architect:

Drawn: NOV 14, 06

**Mapes
Architectural
Canopies**

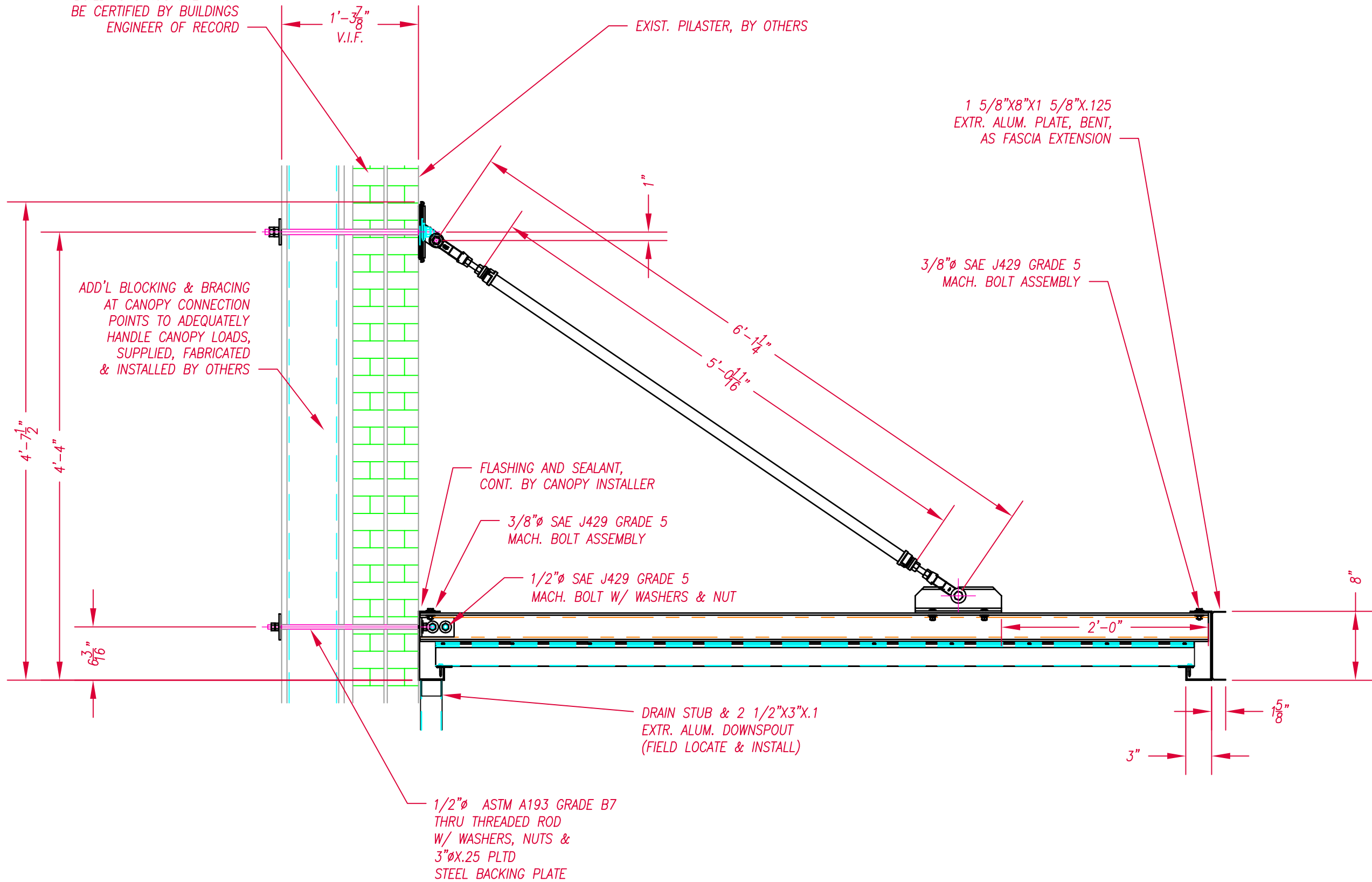
7748 N. 56th St.
Lincoln, NE. 68514-9724
Ph: (888) 273-1132
Fx: (877) 455-6572
email: cad@mapes.com

Proposed for:
()

Job Name:
SHEETZ / WILSON, NC.

PO # MQ #	dtd	Rep:
M3577	Apr. 14, 09	sheet: 04
1 1/2" = 1'-0"		of 10

NOTE: ADEQUACY OF BRICK OVER METAL STUD WALL & BUILDING STRUCTURE MUST BE CERTIFIED BY BUILDINGS ENGINEER OF RECORD



Canopy Type:
 SuperLumideck Hanger Rod
 - Flat Soffit (Perp to Bldg), 16'6"x8' Projection (1), 23'3"x6' Projection (1), 1" Hanger Pipe, G Fascia x 4, Finish = Powder Coat, Color to be "Regal Red"

Architect:		
Drawn:	NOV 14, 06	

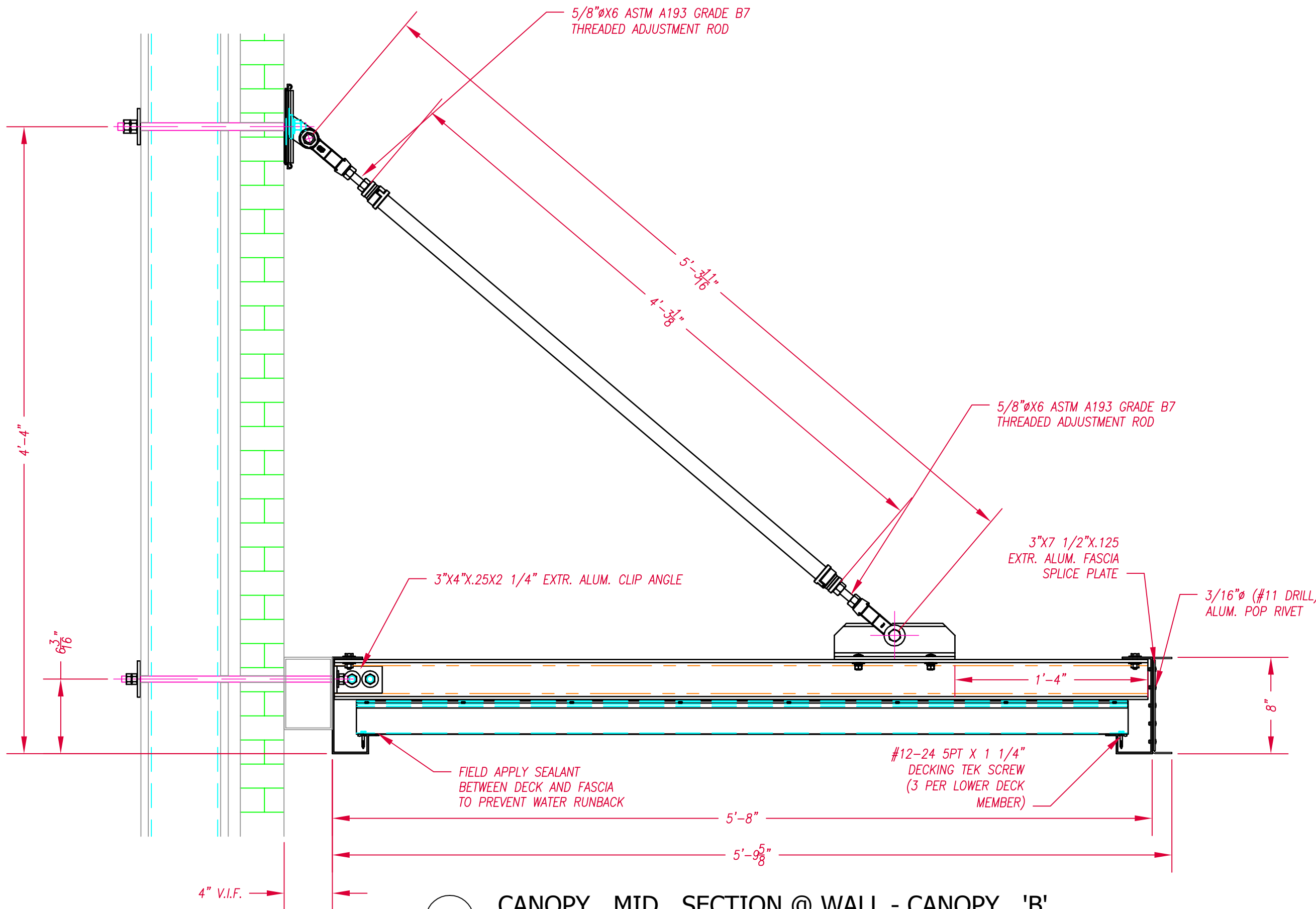
Mapes
 Architectural
 Canopies

7748 N. 56th St.
 Lincoln, NE. 68514-9724
 Ph: (888) 273-1132
 Fx: (877) 455-6572
 email: cad@mapes.com

Proposed for:
 ()
 Job Name:
 SHEETZ / WILSON, NC.

PO # MQ #	dtd	Rep:
M3577	Apr. 14, 09	sheet: 05
1" = 1'-0"		of 10

BB CANOPY MID SECTION @ PILASTER - CANOPY 'A'



CC CANOPY MID SECTION @ WALL - CANOPY 'B'

Canopy Type:
SuperLumideck Hanger Rod
- Flat Soffit (Perp to
Bldg), 16'6"x8' Projection
(1), 23'3"x6' Projection (1),
1" Hanger Pipe, G Fascia x
4, Finish = Powder Coat,
Color to be "Regal Red"

Architect:

Drawn: NOV 14, 06

Mapes
Architectural
Canopies

7748 N. 56th St.
Lincoln, NE. 68514-9724
Ph: (888) 273-1132
Fx: (877) 455-6572
email: cad@mapes.com

Proposed for:
()

Job Name:
SHEETZ / WILSON, NC.

PO # dtd
MQ #

Rep:

M3577

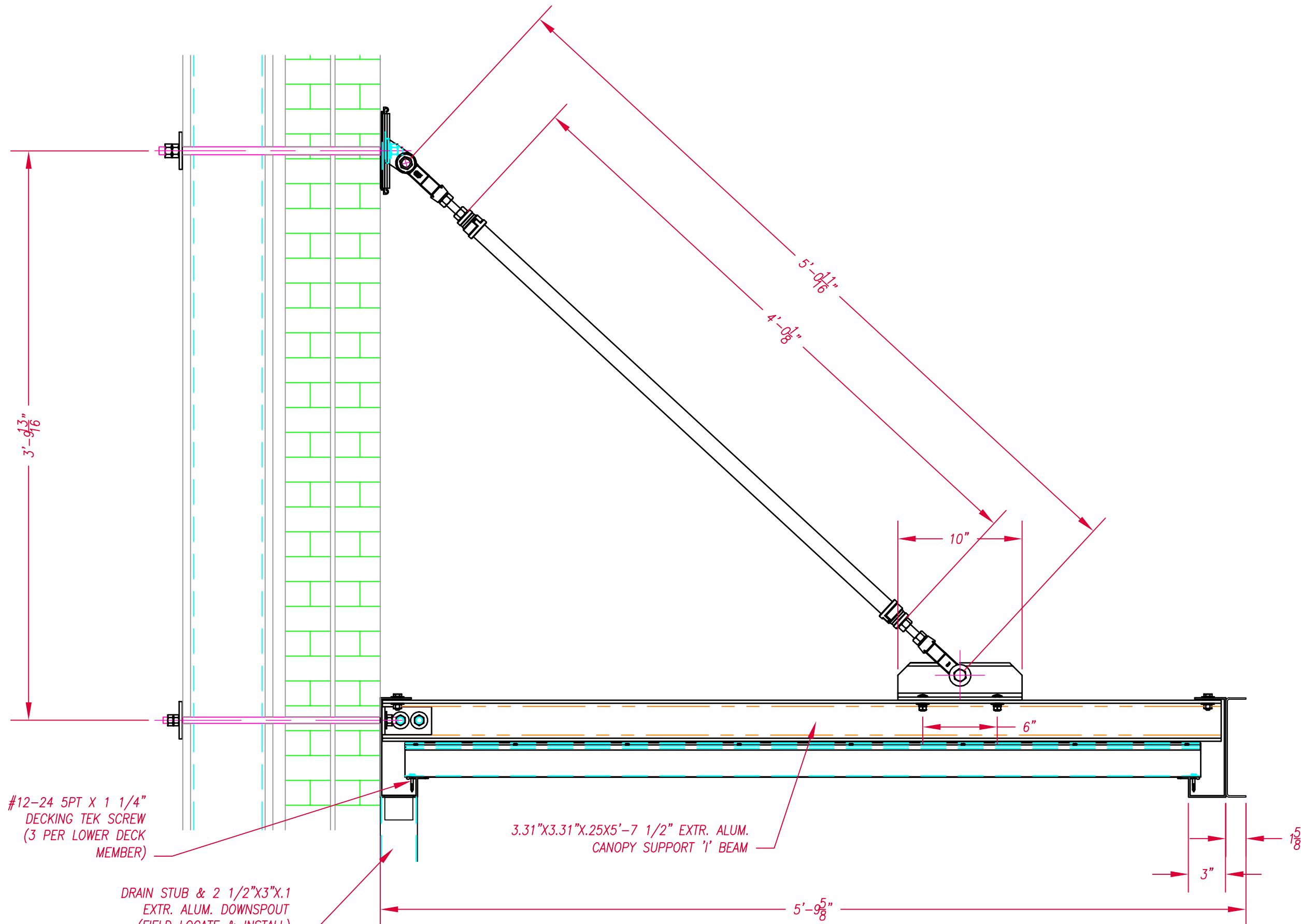
sheet:

Apr. 14, 09

06

1 1/2" = 1'-0"

of 10



#12-24 5PT X 1 1/4"
DECKING TEK SCREW
(3 PER LOWER DECK
MEMBER)

DRAIN STUB & 2 1/2"X3"X.1
EXTR. ALUM. DOWNSPOUT
(FIELD LOCATE & INSTALL)

3.31"X3.31"X.25X5'-7 1/2" EXTR. ALUM.
CANOPY SUPPORT 'I' BEAM

DD CANOPY MID SECTION @ PILASTER - CANOPY 'B'

Canopy Type:
SuperLumideck Hanger Rod
- Flat Soffit (Perp to
Bldg), 16'6"x8' Projection
(1), 23'3"x6' Projection (1),
1" Hanger Pipe, G Fascia x
4, Finish = Powder Coat,
Color to be "Regal Red"

Architect:

Drawn: NOV 14, 06

Mapes
Architectural
Canopies

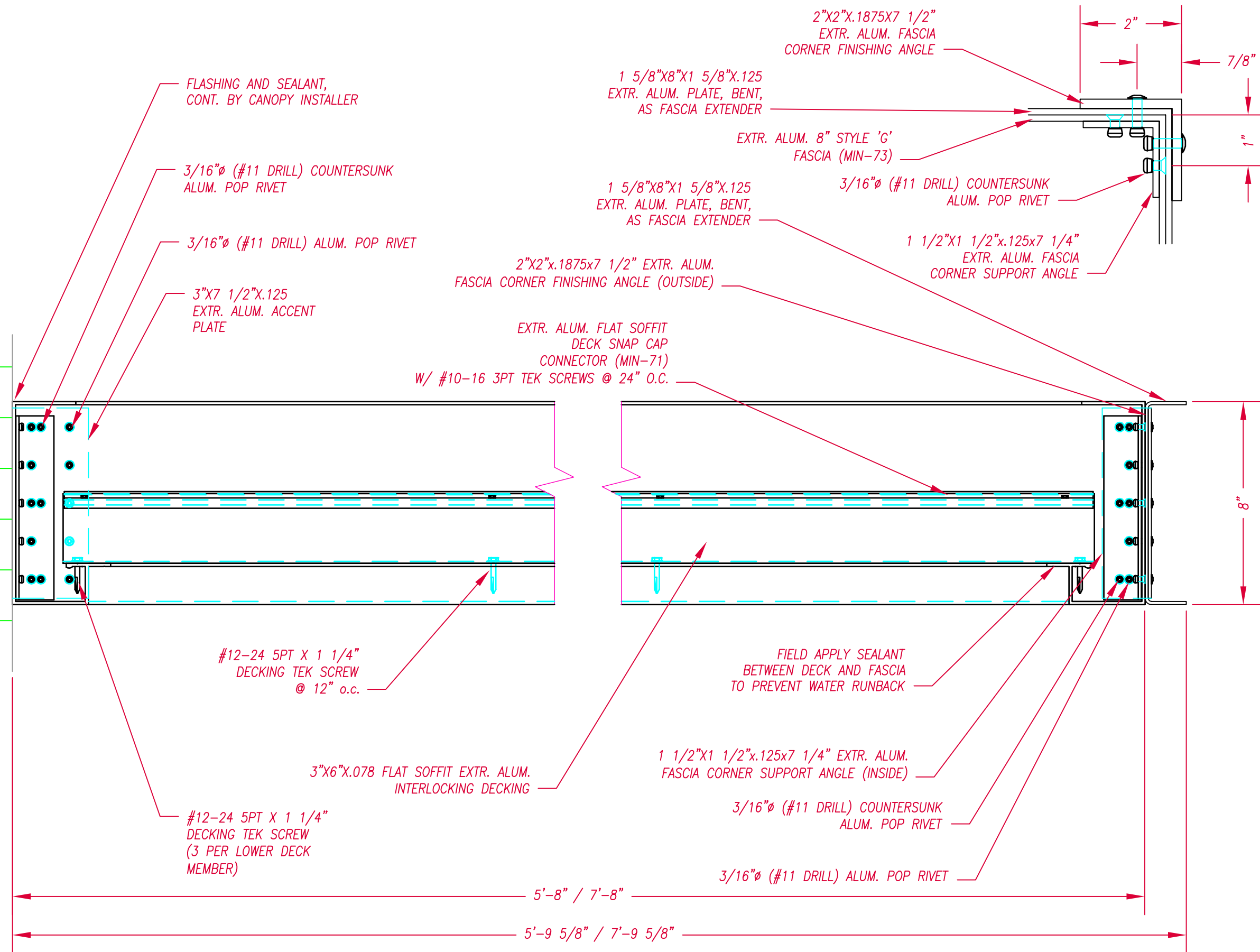
7748 N. 56th St.
Lincoln, NE. 68514-9724
Ph: (888) 273-1132
Fx: (877) 455-6572
email: cad@mapes.com

Proposed for:
()

Job Name:
SHEETZ / WILSON, NC.

PO # dtd
MQ # Rep:

M3577	sheet: 07
Apr. 14, 09	
1 1/2" = 1'-0"	of 10



EE CANOPY END SECTION

Canopy Type:
SuperLumideck Hanger Rod
 - Flat Soffit (Perp to Bldg), 16'6"x8' Projection (1), 23'3"x6' Projection (1), 1" Hanger Pipe, G Fascia x 4, Finish = Powder Coat, Color to be "Regal Red"

Architect:

Drawn: NOV 14, 06

Mapes Architectural Canopies

7748 N. 56th St.
 Lincoln, NE. 68514-9724
 Ph: (888) 273-1132
 Fx: (877) 455-6572
 email: cad@mapes.com

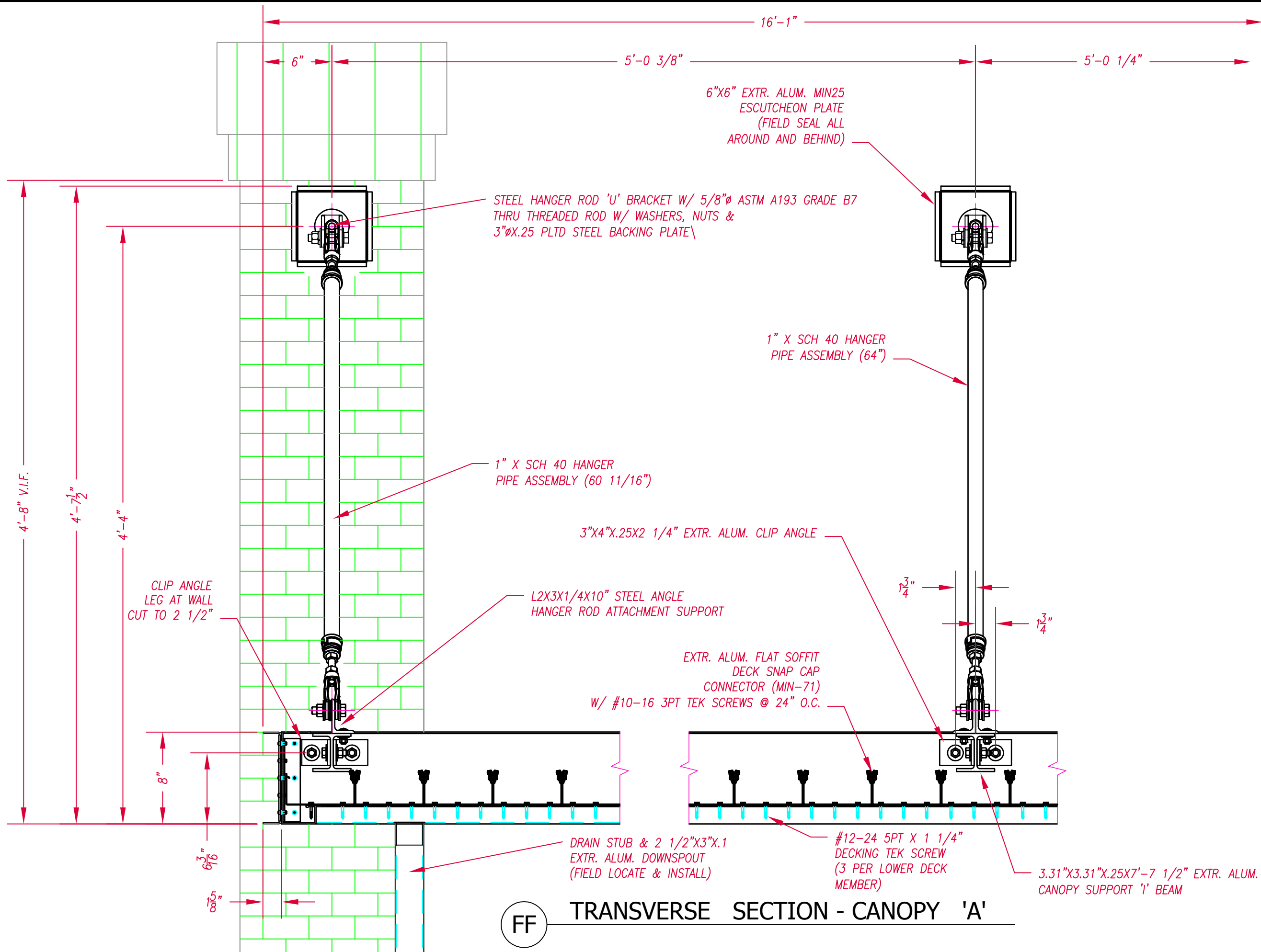
Proposed for:
 ()

Job Name:
 SHEETZ / WILSON, NC.

PO # dtd
 MQ #

Rep:

M3577	sheet:
Apr. 14, 09	08
3" = 1'-0"	of 10



Canopy Type:
 SuperLumideck Hanger Rod
 - Flat Soffit (Perp to Bldg), 16'6"x8' Projection (1), 23'3"x6' Projection (1), 1" Hanger Pipe, G Fascia x 4, Finish = Powder Coat, Color to be "Regal Red"

Architect:

Drawn: NOV 14, 06

Mapes
Architectural
Canopies

7748 N. 56th St.
 Lincoln, NE. 68514-9724
 Ph: (888) 273-1132
 Fx: (877) 455-6572
 email: cad@mapes.com

Proposed for:
 ()

Job Name:
 SHEETZ / WILSON, NC.

PO # dtd
 MQ # Rep:

M3577

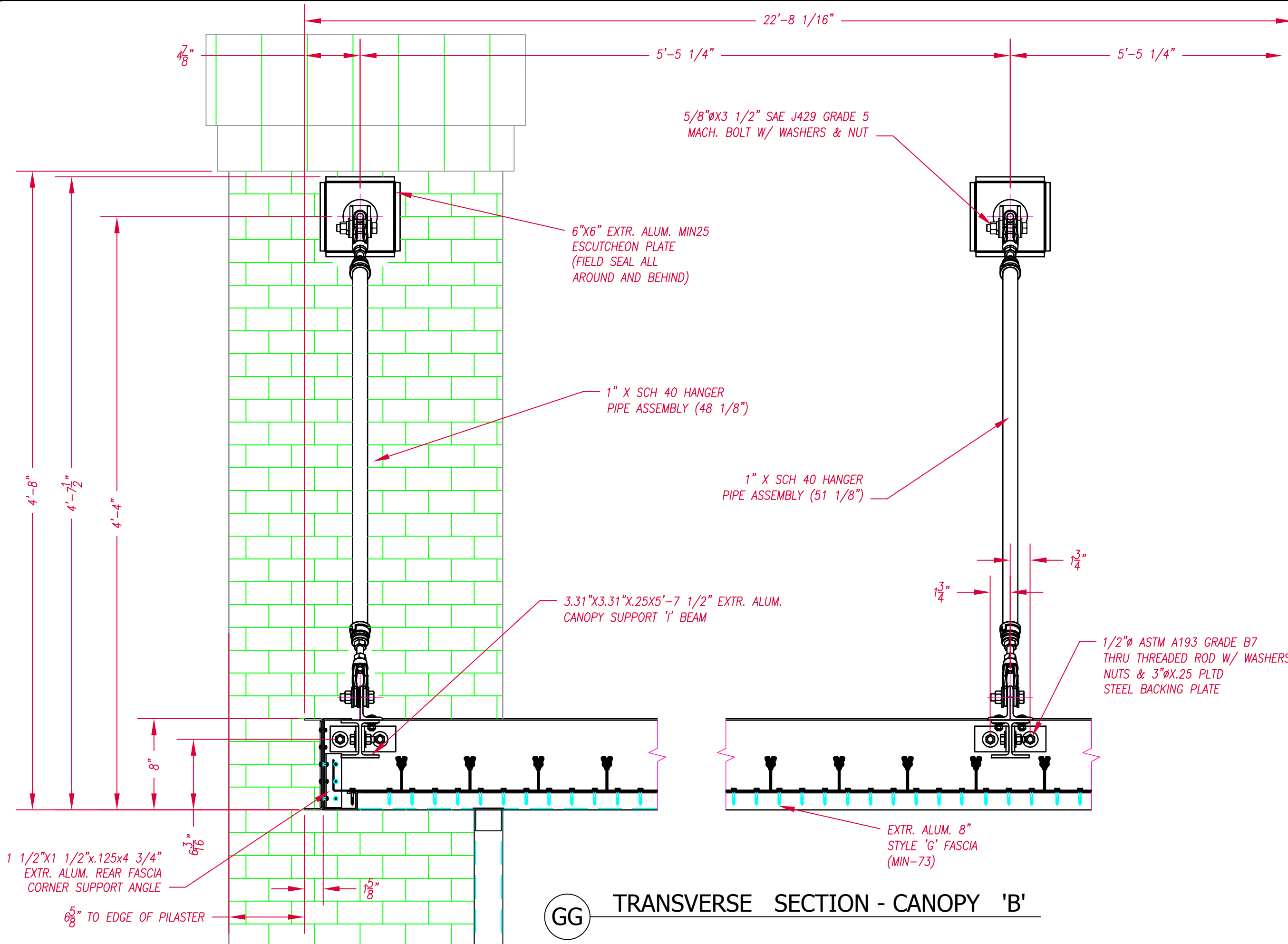
sheet:

Apr. 14, 09

09

1 1/2" = 1'-0"

of 10



Canopy Type:
 SuperLumideck Hanger Rod
 - Flat Soffit (Perp to Bldg), 16'6"x8' Projection (1), 23'3"x6' Projection (1), 1" Hanger Pipe, G Fascia x 4, Finish = Powder Coat, Color to be "Regal Red"

Architect:

Drawn: NOV 14, 06

Mapes Architectural Canopies

7748 N. 56th St.
 Lincoln, NE. 68514-9724
 Ph: (888) 273-1132
 Fx: (877) 455-6572
 email: cad@mapes.com

Proposed for:
 ()

Job Name:
 SHEETZ / WILSON, NC.

PO # dtd
 MQ #

Rep:

M3577	sheet:
Apr. 14, 09	10
1 1/2" = 1'-0"	of 10

GG TRANSVERSE SECTION - CANOPY 'B'