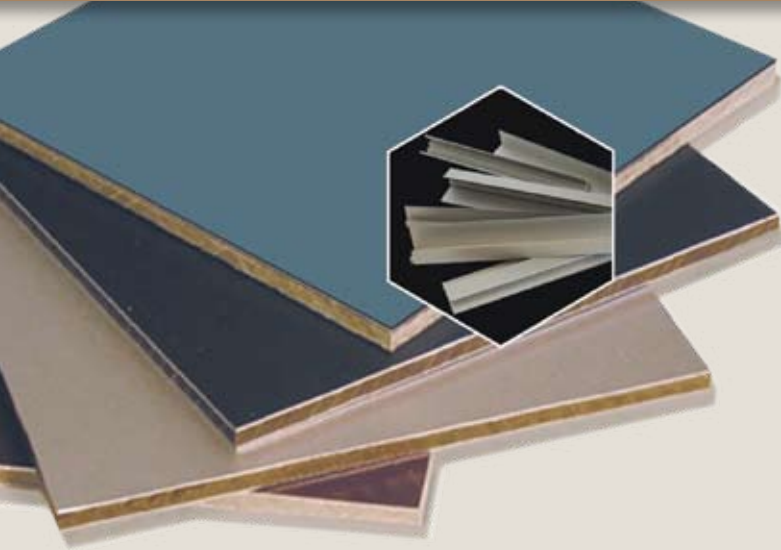


Veneer/Glazing



NON-INSULATED VENEER AND GLAZING PANELS

Mapes Glazing panels are designed to be used as a replacement for glass in any glazing application. The panels are available with one or both sides finished and can be manufactured with all architectural finishes. Core materials for fire or moisture resistance are optional. The panels can be used in fascia and soffit applications. Moldings are available for a low cost, high performance application.

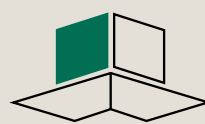
FEATURES

- Low Cost / Light Weight
- Field Fabricated
- Impact Resistant
- Design Flexibility
- Molding System



APPLICATIONS

- Fascia
- Soffit
- Wall Facing
- Glazing Replacement



mapes
ARCHITECTURAL PANELS, INC.

*For design and budget information, please visit
www.mapes.com/glazing.*

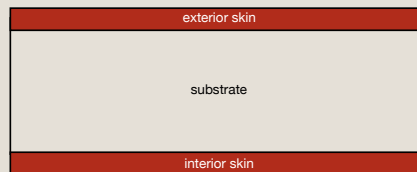
Mapes Panels, LLC
2929 Cornhusker Hwy / Lincoln, NE 68504
800-228-2391 / 800-737-6756 fax
sales@mapes.com / www.mapespanels.com

Veneer/Glazing

CORE OPTIONS

- High density hardboard
- Cement board.
- HDPE High Density Polyethylene

TYPICAL CROSS SECTION



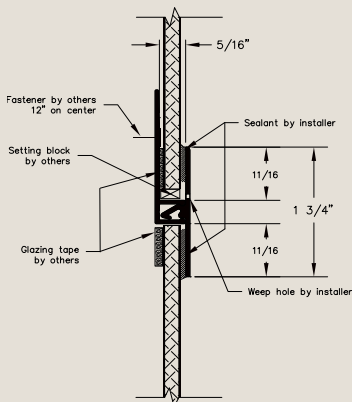
EXTERIOR FINISH GUIDE

	Embossed	Smooth	Custom Color	Aluminum	Steel	Warranty (yrs)
Porcelain on Aluminum	X		X	X		25
Porcelain on Steel		X	X*		X	20
Kynar	X	X	X*	X	X	5 to 20
Polyester Baked Enamel	X	X	X*	X		5
Anodized	X*	X	X*	X		n/a
Primed Aluminum	X	X		X		n/a
Galvanized		X			X	n/a
Mill Finish	X	X		X		n/a

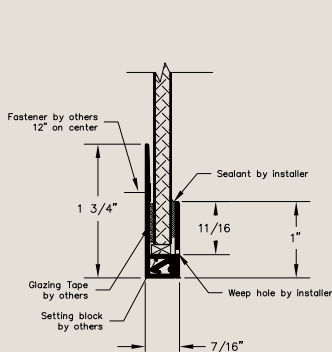
*Indicates premium charge; consult factory

MOLDING DETAILS

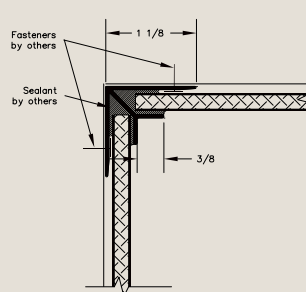
TWO PIECE DIVIDER



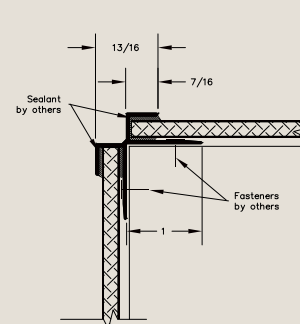
TWO PIECE CAP



INSIDE CORNER



OUTSIDE CORNER



INSTALLATION DETAILS

Standard Veneer Application with Applied Stops or Mapes Molding

1. Panel should be sealed interior & exterior with permanently elastic silicone caulking.
2. Use setting blocks and drill weeps in sash molding.
3. Veneer panels with loose insulation behind them should be back-caulked in conjunction with a minimum 6 mil vapor barrier to eliminate condensation formation.
4. Wall cavity should be vented to prevent moisture entrapment.

Important for Both Installation Techniques:

- A continuous 6 mil vapor barrier is required to prevent condensation within the wall cavity.