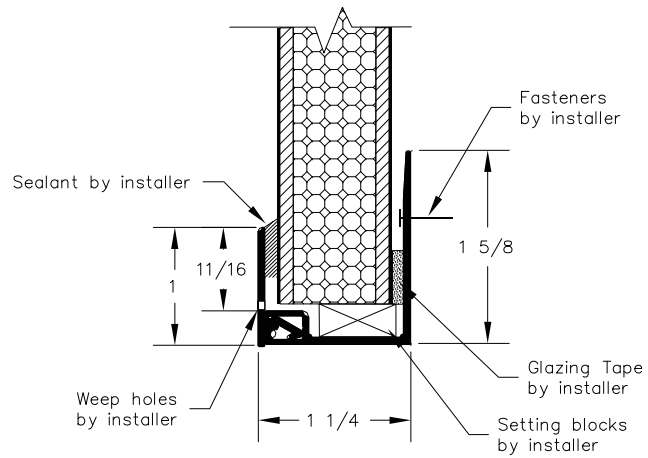
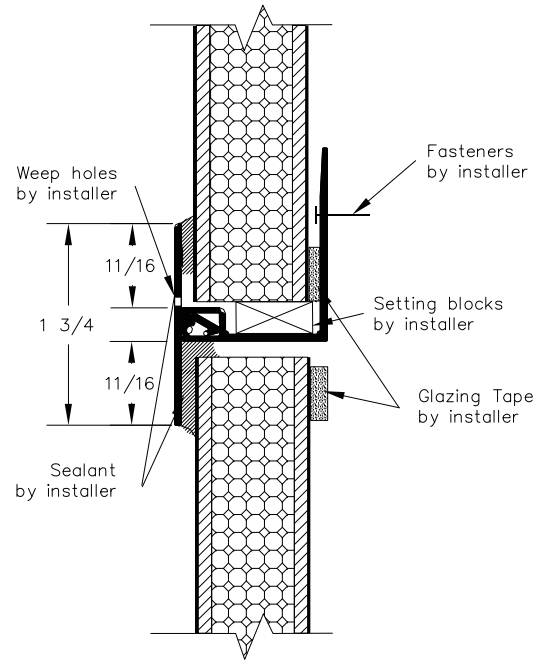


1" Mapes Molding

Two piece cap
MIN-68 receptor & MIN-67 cap



Two piece divider
MIN-68 receptor & MIN-69 divider



Add on / Projected sash
MW-16610

